

# Evr-Green DC

Level 3 Charging Station for Public Use

CAT. NO: CPDCF

SPECIFICATIONS AND ORDERING INFORMATION



**HIGH POWER IN A  
SMALL FOOTPRINT**

# Ordering Information

## Hardware

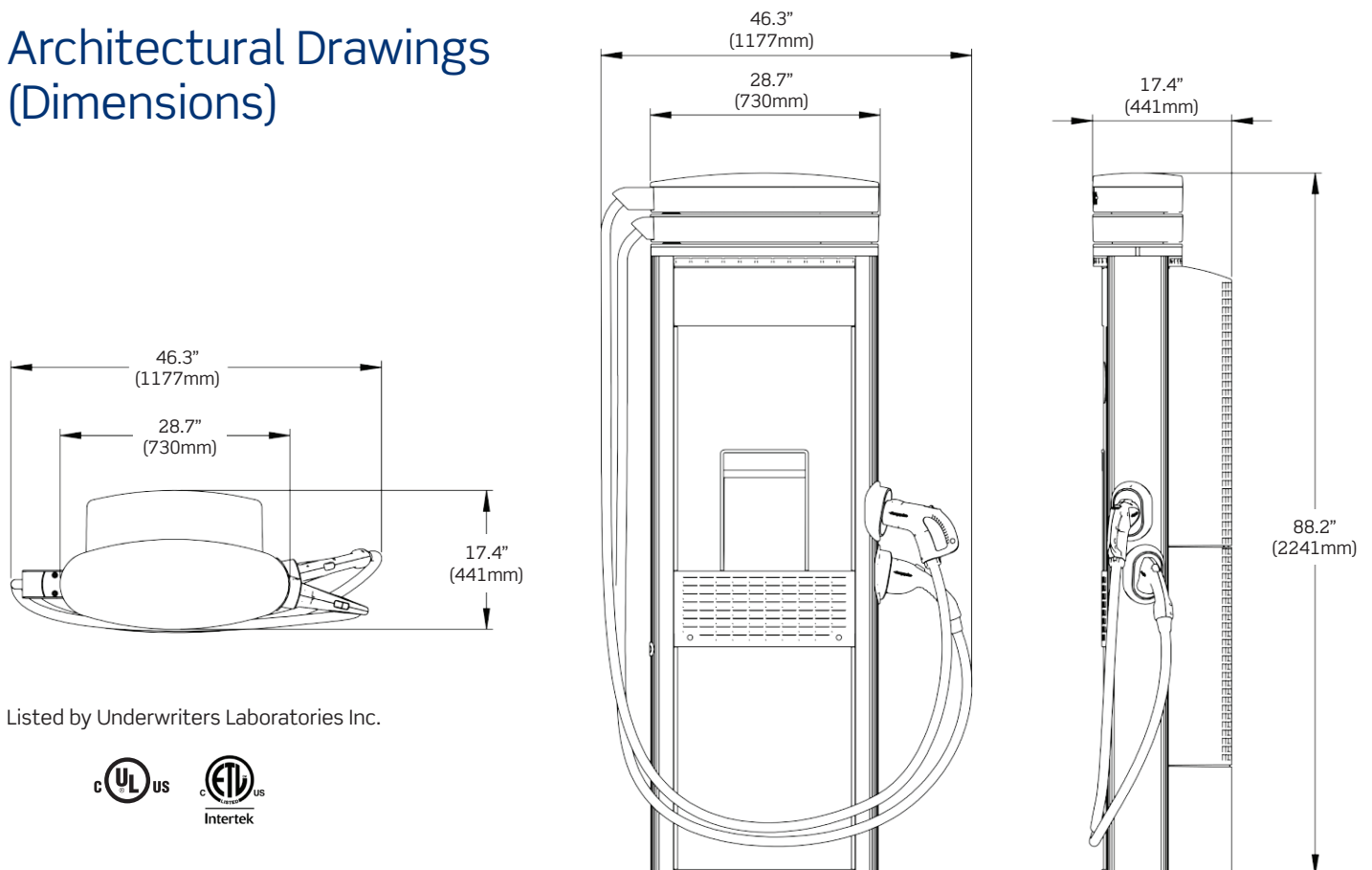
Description		Cat. No.
Model	CPDCF Station includes 2x Power Modules, 1x CCS1 cable, 1x CHAdeMO cable.	CPDCF
Connector Options	Cable connectors available include CCS1 and CHAdeMO.	
Buy America	CPDCF is compliant with the Federal Transportation Authority (FTA) and Federal Highway Administration (FHWA) Buy America Options.	

## Software & Services

Description	Cat. No.
<b>CHARGEPOINT ENTERPRISE PLAN:</b> Includes ChargePoint Cloud Services and ChargePoint Assure Warranty. Warranty Includes parts and labor, remote technical support, on-site repairs, when needed, unlimited configuration changes, and reporting.	1 Year ChargePoint Enterprise Plan: CPEY1
	2 Year ChargePoint Enterprise Plan: CPEY2
	3 Year ChargePoint Enterprise Plan: CPEY3
	4 Year ChargePoint Enterprise Plan: CPEY4
	5 Year ChargePoint Enterprise Plan: CPEY5
<b>COMMISSIONING SERVICE:</b> Includes on-site validation and inspection of electrical, mechanical, installation, wiring and civil parameters for the CPDCF	CPCOM-DC

Note: All CPDCF stations require an enterprise plan and commissioning service.

## Architectural Drawings (Dimensions)



Listed by Underwriters Laboratories Inc.



# General Specifications

## Station Electrical Input

Input Rating	400V AC, 3-phase, 96A, 50 Hz 480Y/277V AC, 3-phase, 80A, 60 Hz
Wiring	L1, L2, L3, Neutral & Earth

## Station Electrical Output

Max Output Power	62.5 kW
Output Voltage, Charging	200–1,000V DC
Max Output Current	156A
Max Modules per Station	2



## Paired Station Electrical Output

Paired Max Output Power	125 kW
Paired Max Output Current	CCS1: 174A or 200A CHAdeMO: 140A

## Power Module

Max Output Power	31.25 kW
Max Output Current	78 A
Power Conversion Efficiency	> 95%
Power Factor	0.99 at full load
Harmonics	iTHD < 5% (Complies with IEEE 519 Requirements)
Power Module Cooling	Liquid Cooling Technology

## Functional Interfaces

Supported Connector Types	CHAdeMO   CCS1 (SAE J1772™ Combo)	<b>Each Evr-Green DC includes 1 CHAdeMO and 1 CCS1 port.</b> Note: only one can be used at a time.
	 	
Cable Length with Swing Arm*	Full Horizontal Reach: 14' (4.27m)	
LCD Display	Full-color 10 in (254 mm) display for driver interaction	
Top Display	Full-color 20 in (508 mm) LED display for notifications	
Authentication	RFID: ISO 15693, ISO 14443, NEMA EVSE 1.2-2015 (UR) Tap to Charge (NFC on Apple & Android): 15118-2 (EIM) Remote: Mobile and in vehicle (if supported by vehicle)	

\*Horizontal reach to typical vehicle charging port: 12'4" (3.76m)

# General Specifications (CONTINUED)

## Connectivity Features

Vehicle Safety Communication	CHAdEMO – JEVs G104 over CAN, CCS1 – SAE J1772 over PLC
Plug-Out Detection	Power terminated per JEVs G104 (CHAdEMO), SAE J2931 (CCS1)
Local Area Network	2.4 GHz and 5 GHz WiFi (802.11 b/g/n)
Wide Area Network	4G LTE (fall back to 3G GSM)
Supported Communication Protocols	OCPP
Service and Maintenance	Remote system monitoring, diagnostic, and proactive maintenance

## Safety and Operational Ratings

Station Enclosure Rating	Type 3R, IP54
Station Impact Rating	IK10
Safety and Compliance	UL and cUL listed: complies with UL 2202, UL 2231-1, UL 2231-2, CSA 107.1 CE marking: complies with IEC 62196, IEC 61851
Station Surge Protection	Tested to IEC 6100-4-5, Level 5 (6 kV @ 3,000A). In geographic areas subject to frequent thunder storms, supplemental surge protection at the service panel is recommended.
EMC Compliance	FCC part 15 Class A
Storage Temperature	-40°F to 122°F (-40°C to 50°C)
Operating Temperature	-40°F to 122°F (-40°C to 50°C)
Operational Altitude	<9,800 ft (<3,000 m)
Operating Humidity	Up to 95% @ 122°F (50°C) non-condensing

## Generic Specifications

Station Enclosure Dimensions	7'4" H x 2'5" W x 1'5" D (2,241 mm H x 730 mm W x 441 mm D)
Power Module Dimensions	2'6" H x 1'5" W x 5" D (760 mm H x 430 mm W x 130 mm D)
Station Weight (without Power Modules)	551 lb (250 kg)
Power Module Weight (Per Module)	98.5 lb (45 kg)

## Energy Management Features

Dynamic Power Management	Allows a fixed maximum power output per station or lets the system dynamically manage the power distribution per station
Remote Energy Management	Manage output power via the ChargePoint Admin Portal, API, and Open ADR 2.0b VEN

Visit our Website at:  
[www.leviton.com/evrgreen](http://www.leviton.com/evrgreen)  
email: [commercial@leviton.com](mailto:commercial@leviton.com)

Q-1443

Leviton Manufacturing Co., Inc.  
201 N Service Rd, Melville, NY 11747  
Telephone: 1-800-323-8920 • FAX: 1-800-832-9538  
Tech Line: 1-800-824-3005 (M-F 8AM-10PM; Sat 9AM-7PM; Sun 9AM-5PM)

© 2022 Leviton Manufacturing Co., Inc. All rights reserved.

031622

